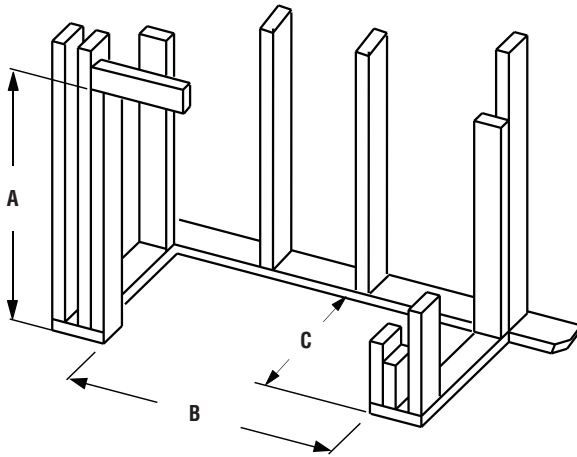


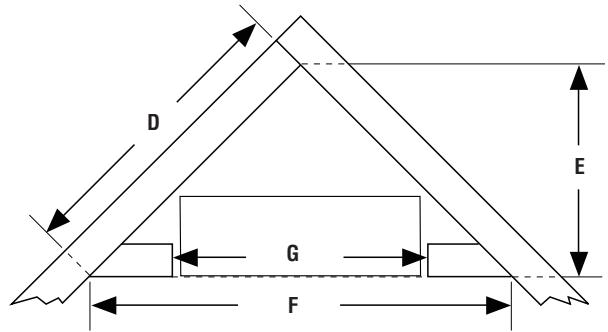
VCM3026 SERIES

VENT-FREE COMPACT FIREPLACE

Framing Dimensions

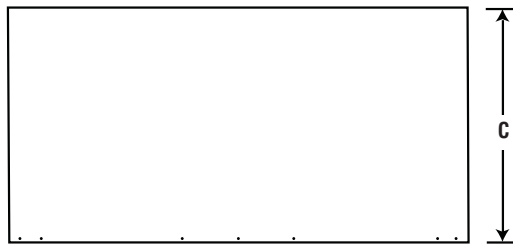


Models	A	B	C
VCM3026	26-7/8" 683 mm	26-7/8" 683 mm	10-1/2" 267 mm

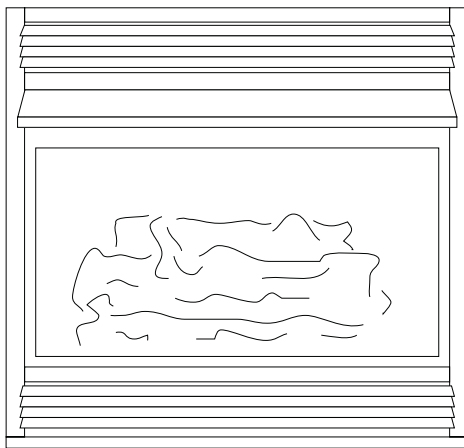


Models	D	E	F	G
VCM3026	36-5/8" 931 mm	25-7/8" 658 mm	51-3/4" 1315 mm	26-7/8" 683 mm

Fireplace Dimensions



B
Top View



Front View

Models	A	B	C	D	E
VCM3026	25-7/8" 658 mm	26-3/4" 680 mm	9-1/2" 242 mm	12-1/2" 318 mm	26" 661 mm

Specifications and clearances are subject to change without notice. Refer to Installation and Operation Manual before installation of these appliances for updated dimensions and instructions.

Diagrams, illustrations and photographs are not to scale. Consult installation instructions. Product designs, materials, dimensions, specifications, colors, and prices are subject to change or discontinuance without notice.

NOTE: DIAGRAMS & ILLUSTRATIONS ARE NOT TO SCALE.

VCM3026 SERIES

Product Information

Cat. #	Model	Type	Weight	Cu. Ft.
F1215	VCM3026ZTN	T-Stat	41 lbs	23.7
F1216	VCM3026ZTP	T-Stat	41 lbs	23.7
F1217	VCM3026ZMN	Millivolt	41 lbs	23.7
F1218	VCM3026ZMP	Millivolt	41 lbs	23.7

Listing Information



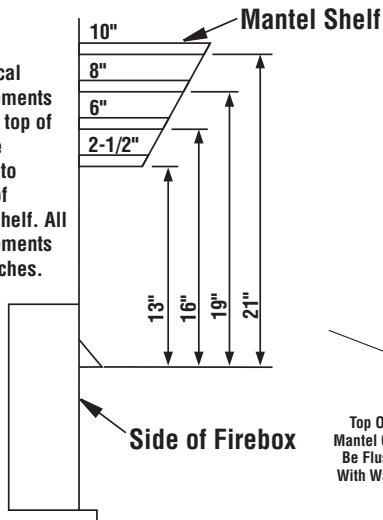
Report No. F09-123

These appliances comply with National Safety Standards and are listed by PFS Corporation to ANSI Z21.11.2 as a decorative type unvented room heaters.

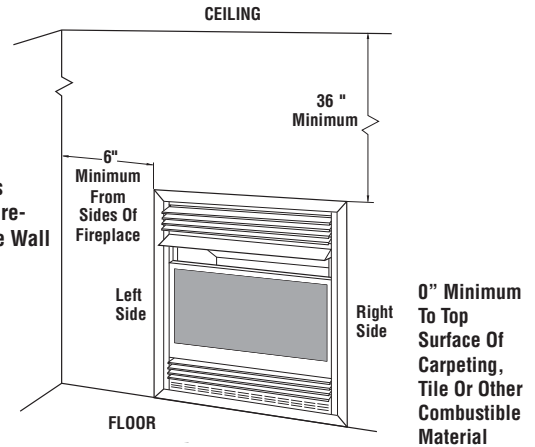
Clearances

Minimum Mantel Clearances for Built-In Installation

Note: All vertical measurements are from top of fireplace opening to bottom of mantel shelf. All measurements are in inches.



Mounting Clearances As Viewed From Front of Fireplace Shown Built-In the Wall



CEILING

CEILING

36 " Minimum

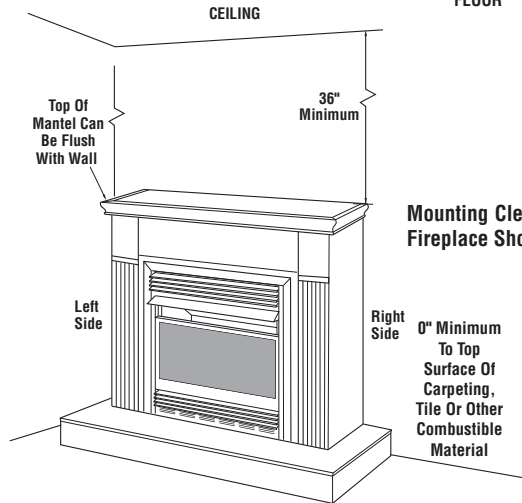
6" Minimum From Sides Of Fireplace

FLOOR

0" Minimum To Top Surface Of Carpeting, Tile Or Other Combustible Material

NOTE: When installing fireplace directly on carpeting, vinyl tile or other combustible material, other than wood flooring, the fireplace shall be installed on a metal or wood panel extending the full width and depth of the fireplace.

Mounting Clearances As Viewed From Front of Fireplace Shown with Optional Mantel



CEILING

36" Minimum

Top Of Mantel Can Be Flush With Wall

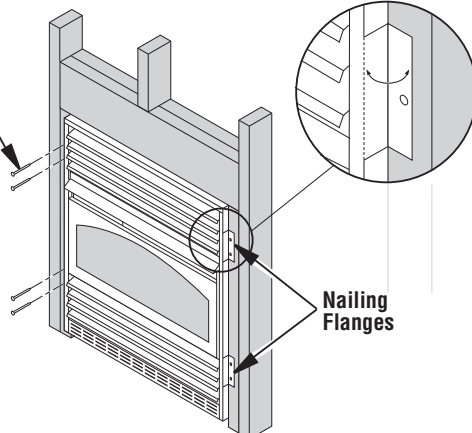
Left Side

Right Side

0" Minimum To Top Surface Of Carpeting, Tile Or Other Combustible Material

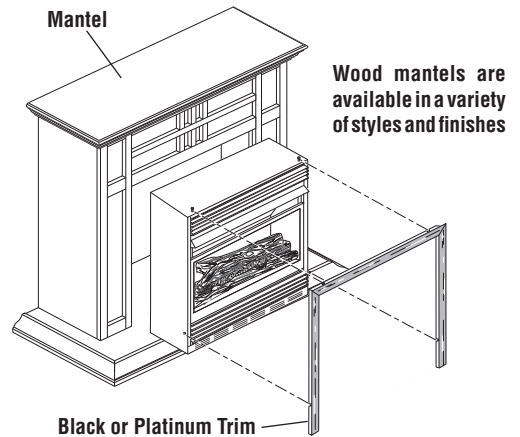
Nailing Flanges

Nails or Wood Screws



Nailing Flanges

Optional Mantel



Wood mantels are available in a variety of styles and finishes

Black or Platinum Trim