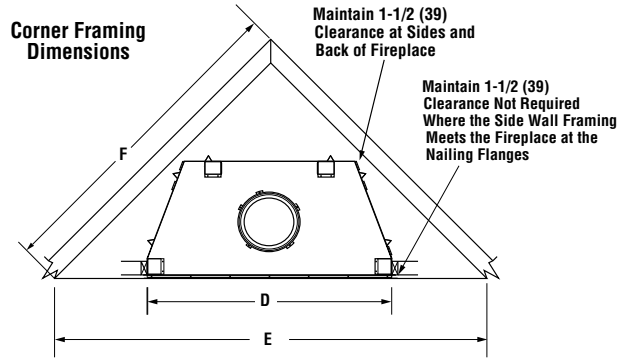
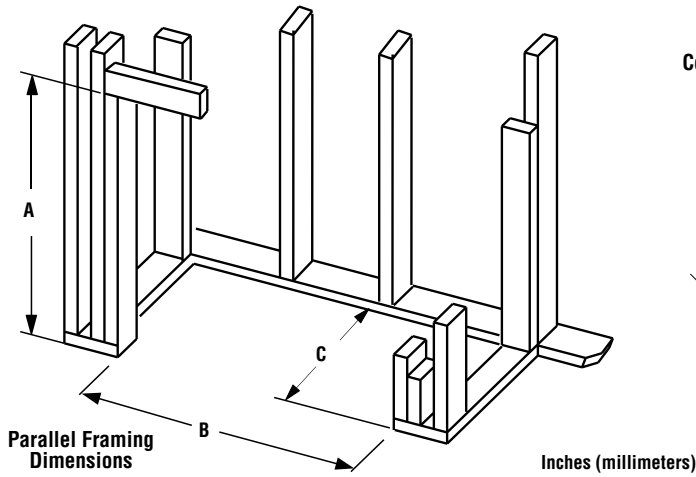


WRT8048

WOOD-BURNING FIREPLACE (Box only, Mosaic Masonry Brick Liner Required)

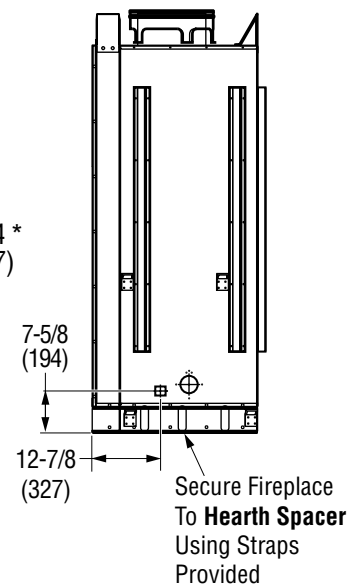
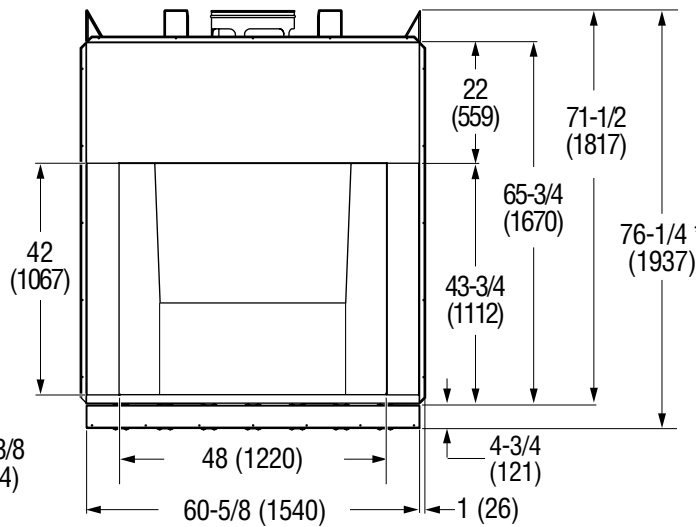
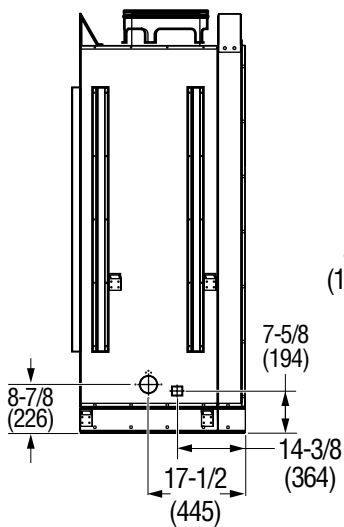
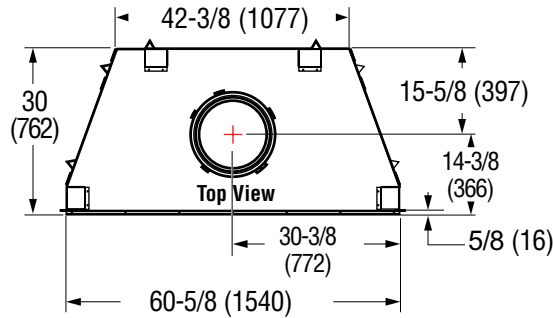
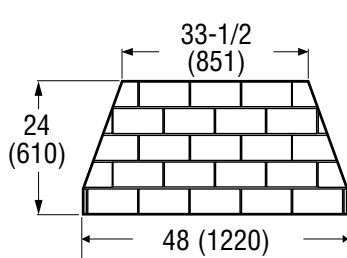
Framing Dimensions



	WRT8048
A	76-3/8 (1940)
B	60-7/8 (1547)
C	31-5/8 (804)

	WRT8048
D	60-7/8 (1547)
E	107-3/8 (2728)
F	78-7/8 (2004)

Fireplace Dimensions



Side View

Front View

Inches (millimeters)

Side View

*With Hearth Spacer

WRT8048

Product Information

Fireplace Reference Information			
Cat. No.	Model	Shipping Wt.	Shipping Vol.
F4252	WRT8048	347 lbs.	139.8 cu. ft.

Mosaic Masonry Brick Reference Information			
Cat. No.	Description	Shipping Wt.	Shipping Vol.
F4253	MOSAIC48WRSH Masonry 48" Warm Red Split Herringbone	630 lbs.	29.8 cu. ft.
F4254	MOSAIC48IVSH Masonry 48" Ivory Split Herringbone	630 lbs.	29.8 cu. ft.
F4545	MOSAIC48SGSH Masonry 48" Slate Grey Split Herringbone	630 lbs.	29.8 cu. ft.
F4546	MOSAIC48MISH Masonry 48" Midnight Split Herringbone	630 lbs.	29.8 cu. ft.

Listing Information

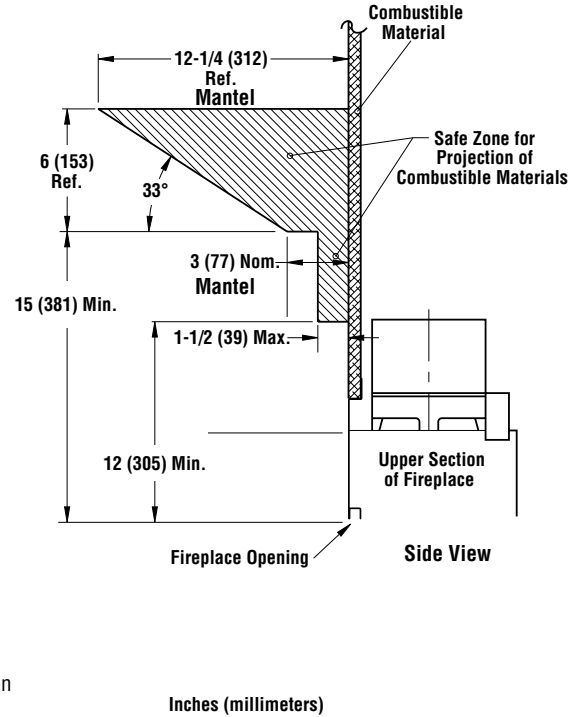


These fireplaces have been tested and approved by PFS TECO under UL127/ULC-S610 standard as a Factory Built Appliance and may be used with gas logs approved to ANSI Z21.60, Z21.84 or Z21.11.2 standards.

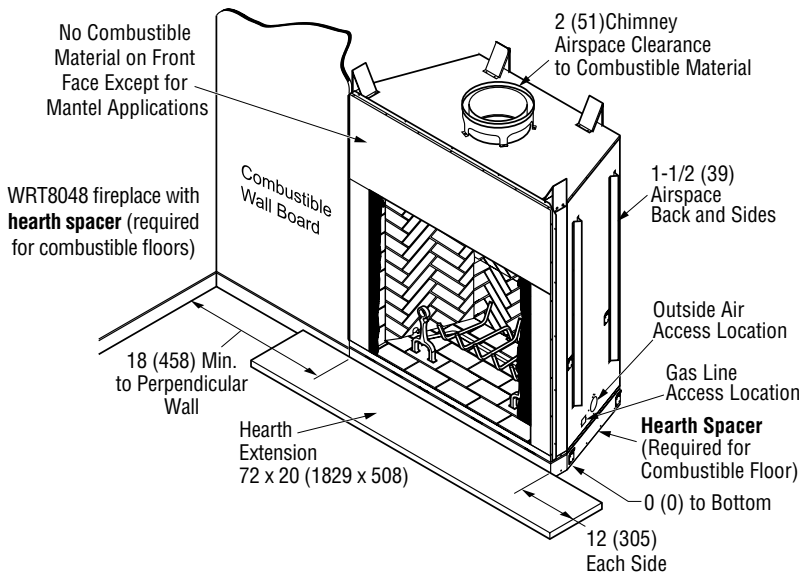
Clearances to Combustibles	
Description	Min. Clearance
Back and sides of fireplace	1-1/2 (38)*
Front of fireplace	48 (1220)
Floor	0 (0)**
Perpendicular wall to opening	18 (458)
Top spacers	0 (0)
Chimney outer pipe surface	2 (51)

* Not required at nailing flanges
 ** See step 2 of Framing in the Installation and Operation Manual

Mantel Clearances



Clearances



Venting

Venting
 Uses Standard (12DM) and Hi-Temp (12HT) Wood-Burning Chimney and Hi-Temp (12HT) Wood-Burning Chimney

