

INSTALLATION INSTRUCTIONS FOR SEETHRUKT-LIN60 KIT

[FOR USE IN ASTRIA® ALLUMEDLX60TEN, ALLUME60TEN AND, SUPERIOR® DRL4060TEN, AND DRL6060TEN FIREPLACES]

INSTALLER: Leave this manual with the fireplace.

CONSUMER: Retain this manual for future reference.

IMPORTANT NOTICE

SEETHRUKT-LIN60 KIT IS REQUIRED FOR UPGRADING FIREPLACE TO A SEE-THRU APPLICATION.

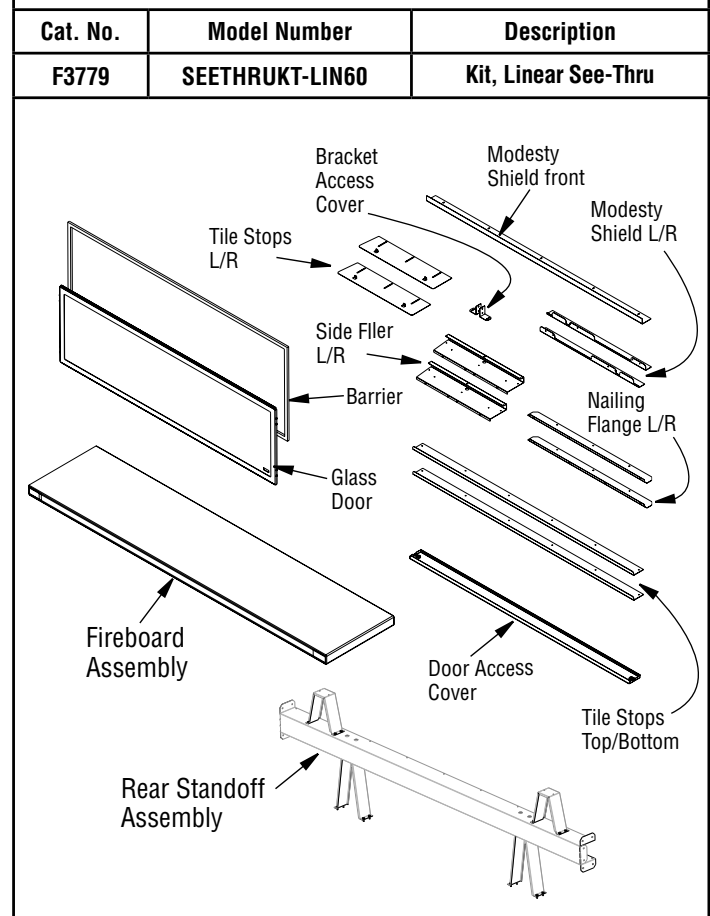
IMPORTANT NOTICE

BLOWER USE IS NOT COMPATIBLE WITH THE SEETHRUKT-LIN60 KIT.

WARNING

This kit must be installed by a qualified installer, service agency, or gas supplier at the time of the fireplace installation. These instructions must be used in conjunction with the installation and operation manual provided with the fireplace.

SEETHRUKT-LIN60 KIT



Kit Components

- 1 ea. Modesty Shield Front
- 2 ea. Modesty Shield L/R
- 2 ea. Nailing Flange side
- 2 ea. Bracket Access Cover
- 2 ea. Side Filler L/R
- 2 ea. Tile Stop L/R
- 2 ea. Tile Stop Top/Bottom
- 1 ea. Door Access Cover
- 1 ea. Fireboard Assembly
- 1 ea. Glass Door
- 1 ea. Rear Standoff Assembly
- 1 ea. Barrier
- 8 ea. Screw #10
- 54 ea. Screws #8
- 48 ea. Bugle drywall Screws

TOOLS REQUIRED (not included)

- Electric Drill/Driver Gun
- Phillips Screwdriver Bits
- 5/16 Nut Driver

GENERAL INFORMATION

The **SEETHRUKT-LIN60** is designed to upgrade the fireplace to a see-thru application.

When Installing this kit, reference the framing dimensions for the see-thru application and follow the framing instructions shown on the fireplace installation Instructions. Follow all other installation requirements for the fireplace as detailed in the installation manual.

IMPORTANT! CONVERT THE FIREPLACE TO A SEE-THRU APPLICATION BEFORE INSTALLING INTO THE FRAMING.

REFER TO INSTALLATION INSTRUCTIONS AND CARE AND OPERATIONS MANUAL (IICO) FOR FRAMING DETAILS BEFORE INSTALLING THIS KIT.

ALL WARNINGS AND PRECAUTIONS IN THE INSTALLATION AND OPERATION MANUAL PROVIDED WITH THE FIREPLACE APPLY TO THESE INSTRUCTIONS.

CONVERTING FIREPLACE TO SEE-THRU APPLICATION

ALLUMEDLX60TEN, ALLUME60TEN, DRL4060TEN, and DRL6060TEN fireplaces ship as a one sided factory installed fireplace. If you will be upgrading the fireplace to a see-thru application a conversion kit cat. no. F3779 is required.

Preparing Fireplace for See-Thru Application

1. Install rear standoff assembly as shown in **Figure 1**, using #8 screws.

NOTE: Standard see-thru installations require both front and rear standoff assemblies be installed. Do not alter or modify standoff assemblies.

2. In the rear of the fireplace, locate screws at top and bottom of rear air guide panel and remove as shown in **Figure 1**. Discard air guide panel after removal.

NOTE: Removal of middle screws is not necessary.

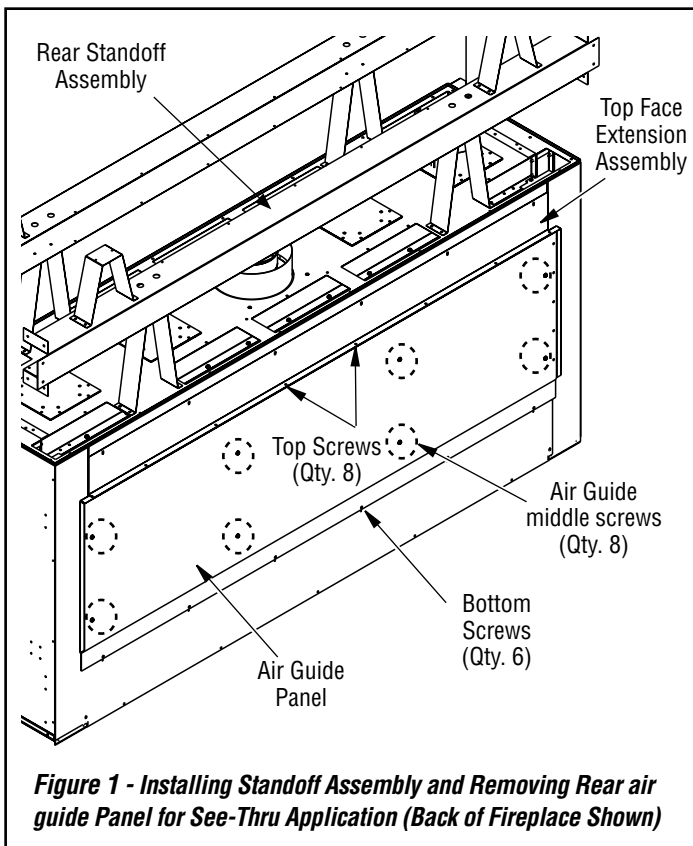


Figure 1 - Installing Standoff Assembly and Removing Rear air guide Panel for See-Thru Application (Back of Fireplace Shown)

3. Detach top face extension assembly from top face by removing 8 screws underneath and 6 screws on the front (**Figure 2**).

NOTE: Heat diverter gets exposed when top face extension assembly is removed (**Figure 2a**).

4. Using the eight screws removed from underneath the face extension, install the heat diverter to the top face (**Figure 2a**).
5. From the front of the fireplace, remove barrier, glass door and control access cover.
6. **ALLUMEDLX60TEN and DRL6060TEN model only**, disconnect blower assembly power cord from the fireplace control module harness. Discard blower assembly and blower harness as blowers are not compatible on a see-thru application.
7. Unscrew mount false door as shown in **Figure 2**. Discard false door.

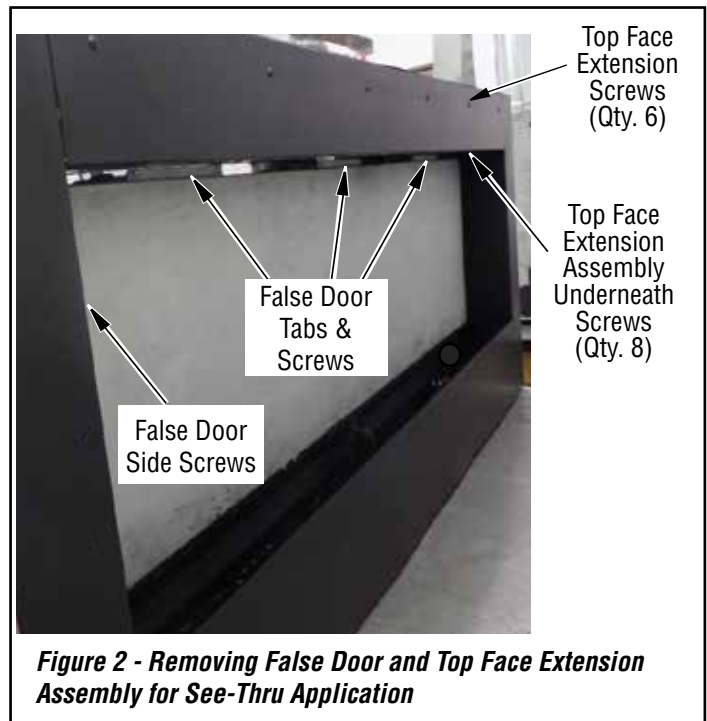


Figure 2 - Removing False Door and Top Face Extension Assembly for See-Thru Application

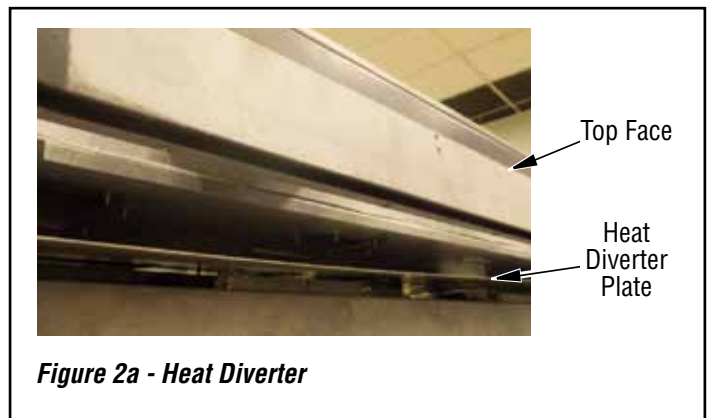
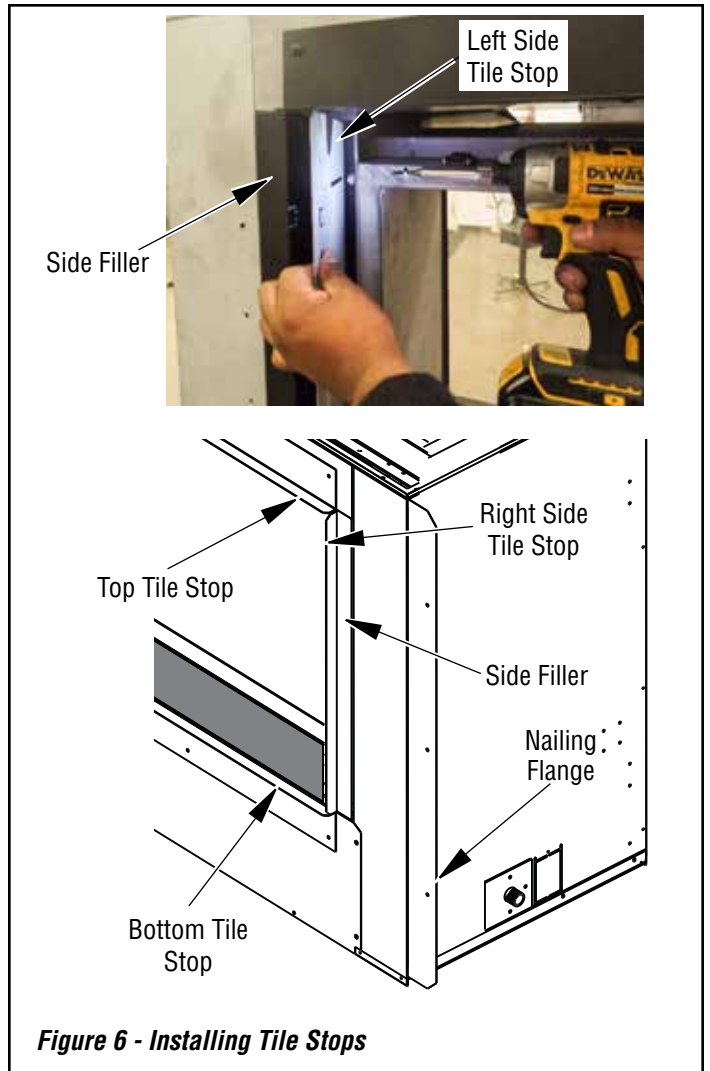
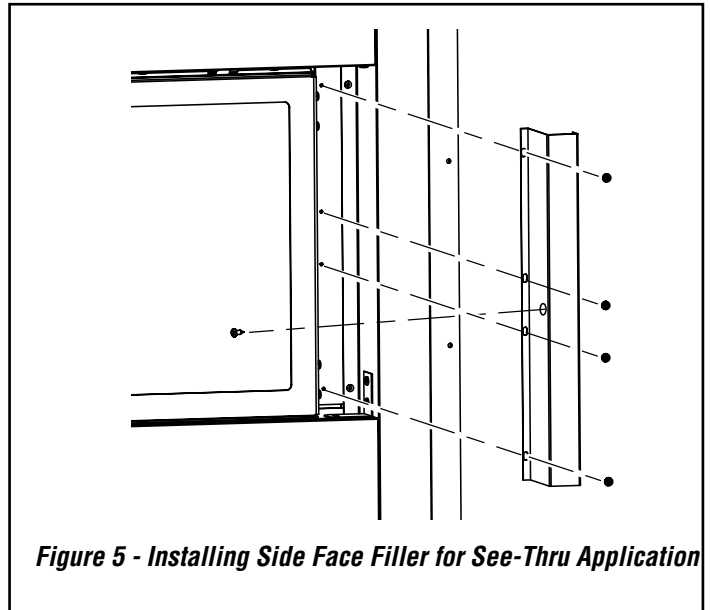
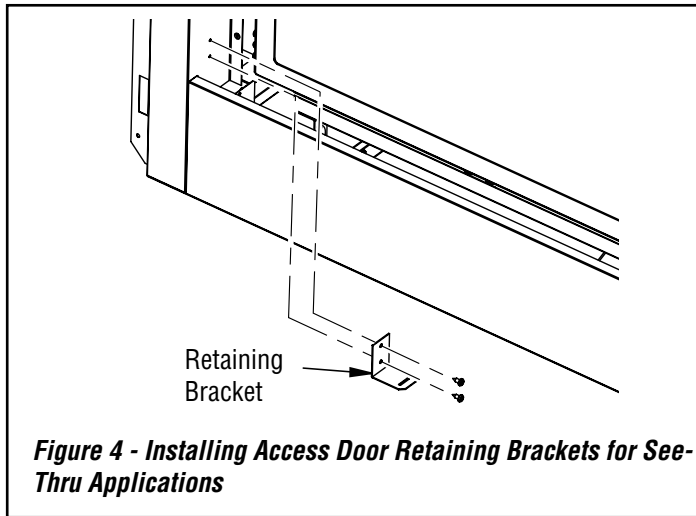
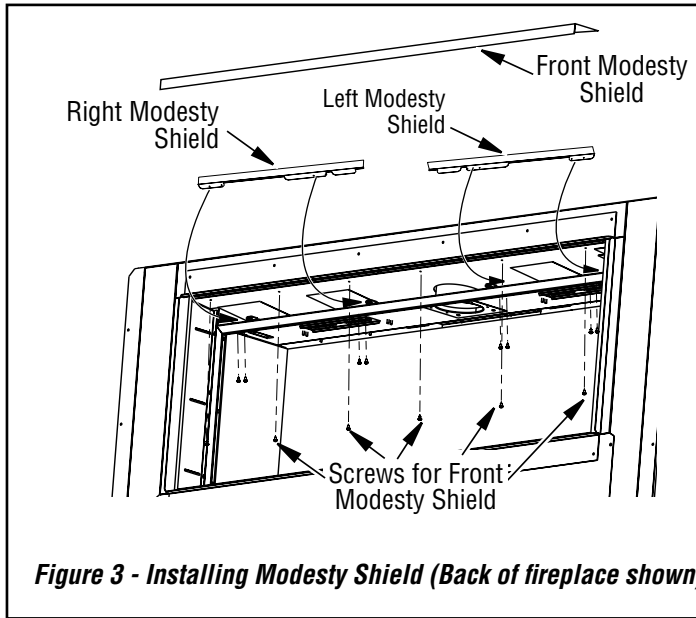


Figure 2a - Heat Diverter

See-Thru Application Conversion

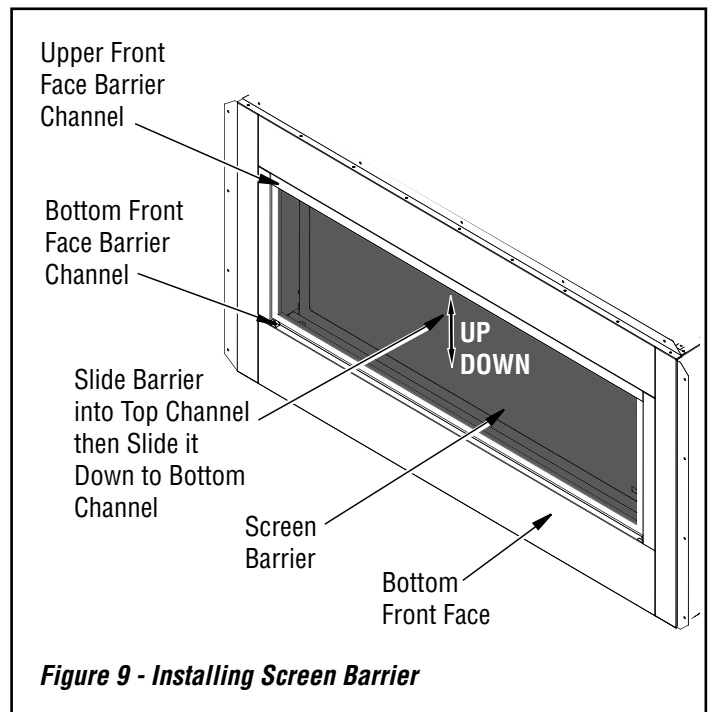
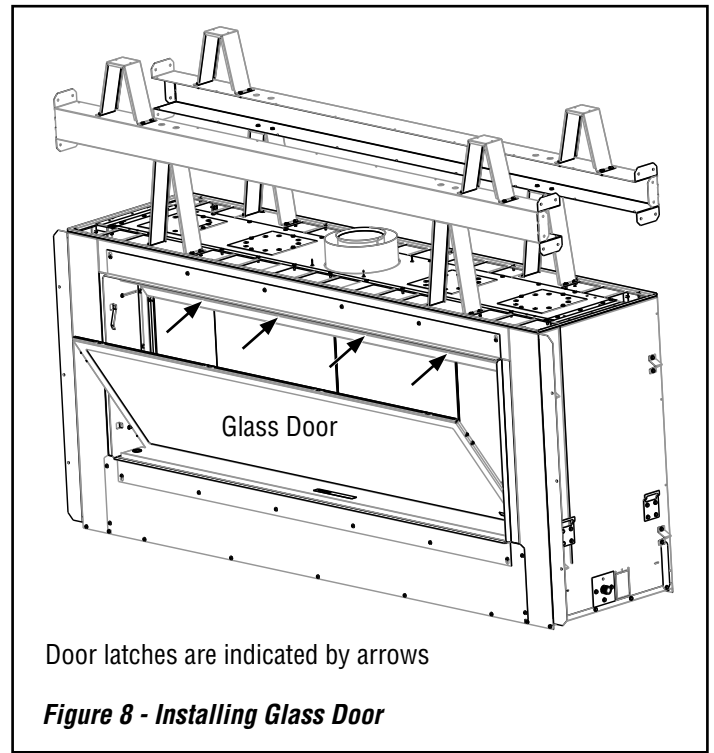
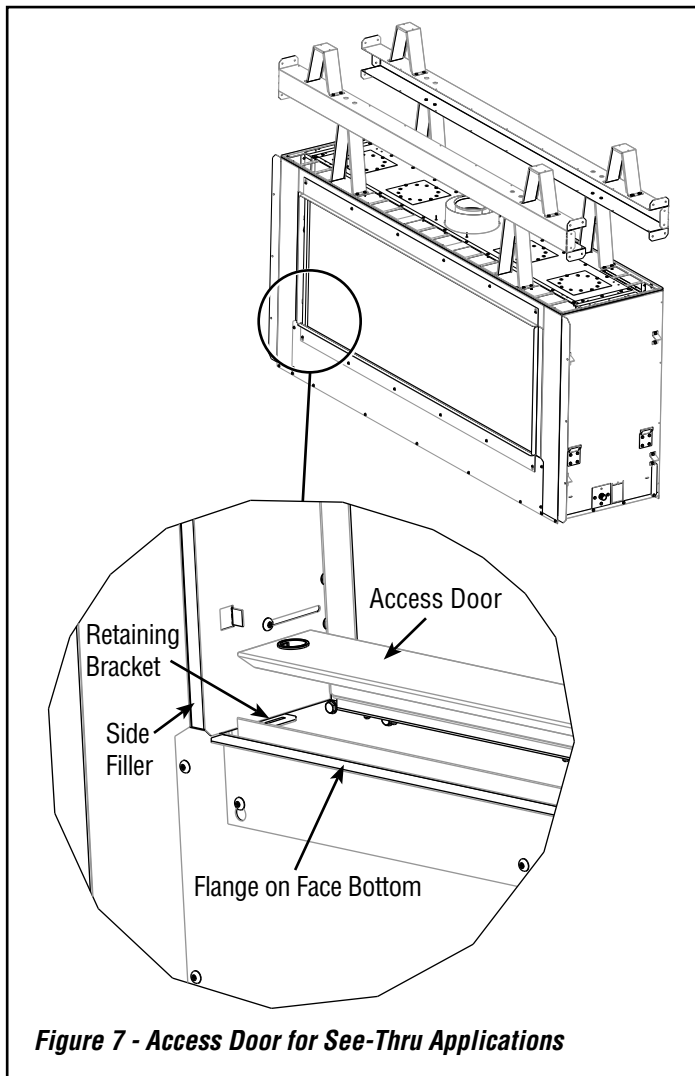
1. Using 6 screws #8 (supplied with kit), install top tile stop to top face (in place of top face extension assembly, removed in step 3; **Preparing Fireplace...**).
2. Remove/discard 8 screws from inside top firebox. The screws to be removed (2 ea.), are close to each spring latch holding rivets, see **Figure 3, Page 3**.
3. Install left side modesty shield bracket using 4 screws #10 (supplied) where screws were removed in step 2 from inside of top firebox, see **Figure 3, Page 3**.
4. Install Right side modesty shield bracket using 4 screws #10 (supplied) where screws were removed in step 2 from inside of top firebox, see **Figure 3, Page 3**.
5. Using 5 screws #8 (supplied), install the front piece modesty shield underneath of the heat diverter making sure upper channel for the barrier is clear (**Figure 3, Page 3**).
6. Install access door retaining brackets into the face side using two screws ea. (supplied) on both the left and right side as shown in **Figure 4, Page 3**.
7. Install side face filler into the firebox side using five screws #8 (supplied) on both the left and right side See **Figure 5, Page 3**.

8. Using 6 screws #8 (supplied) install side face tile stops **Figure 6**.
9. Using 6 screws #8 (supplied) Install bottom face tile stop to bottom face **Figure 6**.
10. Using 8 screws #8 (supplied) Install nailing flanges (left and right sides), **Figure 6**.



Installing Glass Door, Access Door Cover and Barrier

1. Retrieve the glass door. Visually inspect the gasket on the backside of the frame. Gasket surface must be clean, free of irregularities and seated firmly.
2. Position the door in front of the firebox opening with the top of the door held away from the fireplace at 15° angle. Hook the bottom flange of the door frame over the bottom of the firebox frame.
NOTE: Ensure the glass door is centered—with even spacing on each side.
3. Let the top of the glass door swing gently in towards the fireplace ensuring that the gasket seats evenly as the door draws shut. Securely fasten the four (4) latches on firebox top to secure door in place (**Figure 8**).
4. Install the access door into rectangular opening in front of the glass door with the slanted side facing forward. Insert tabs on sides of access door into slots on retaining brackets, **Figure 7**.
5. Install the barrier by sliding in into the top channel with the flat side toward the fireplace, then swinging the base of the barrier into the bottom channel and lowering it into place (**Figure 9**).
6. The see-thru conversion is now complete.
7. Taking in consideration other amenities installed such as Heat-Flo kit, proceed with installing fireplace into framing chase by securing nailing flanges to the studs.



FINISHING FIREPLACE

The appliance is designed to mate with 1/2" wall sheathing materials such as drywall, plywood, wood composites, or non-combustible materials.

Finishing and Sealing Joints

All joints between the finished wall sheathing and the appliance must be sealed with non-combustible materials. Sealants, such as caulk or mastic used to seal the gap between the wall and the fireplace, should be rated at a minimum continuous exposure to 300 °F.

Finishing Around Opening with Gypsum Wallboard

Gypsum wallboard (drywall) joints adjacent to the fireplace opening, including the non-combustible board on the appliance, require special attention to minimize cracking. When installing gypsum wallboard around the fireplace, install the hole for the fireplace opening in a single wallboard sheet, if possible. This will minimize the joints adjacent to the fireplace opening.

Tape wall board joints around the fireplace opening with fiberglass-mesh tape. It will provide a more crack-resistant joint than paper tape. Fill, smooth and finish wall joints with chemically setting-type joint compound. It will provide a more crack-resistant joint than air-drying light-weight compound.

NOTE: NEVER install combustible material (wall finish, surround, trim, etc.) on, in front of, or overlapping any part of the fireplace front face.

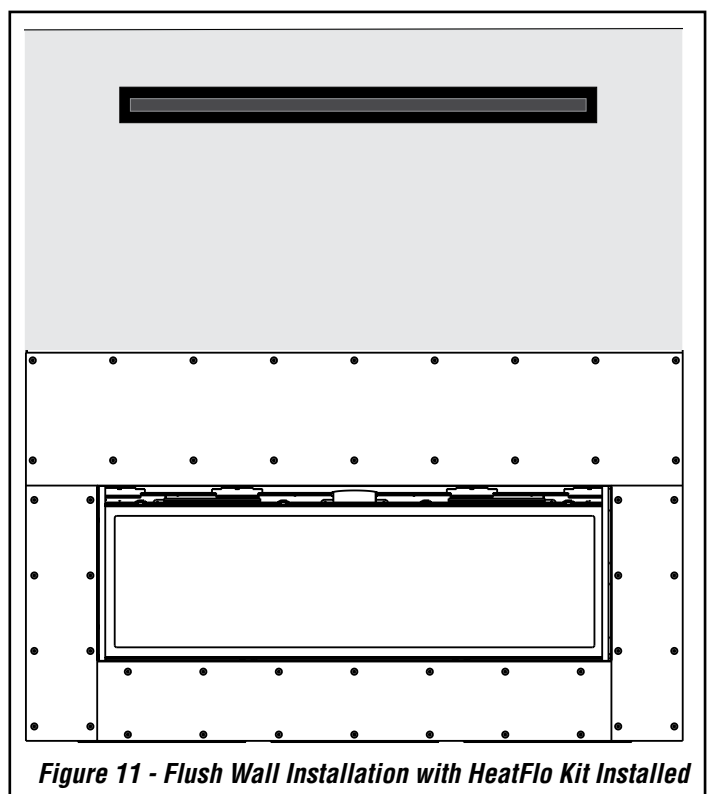
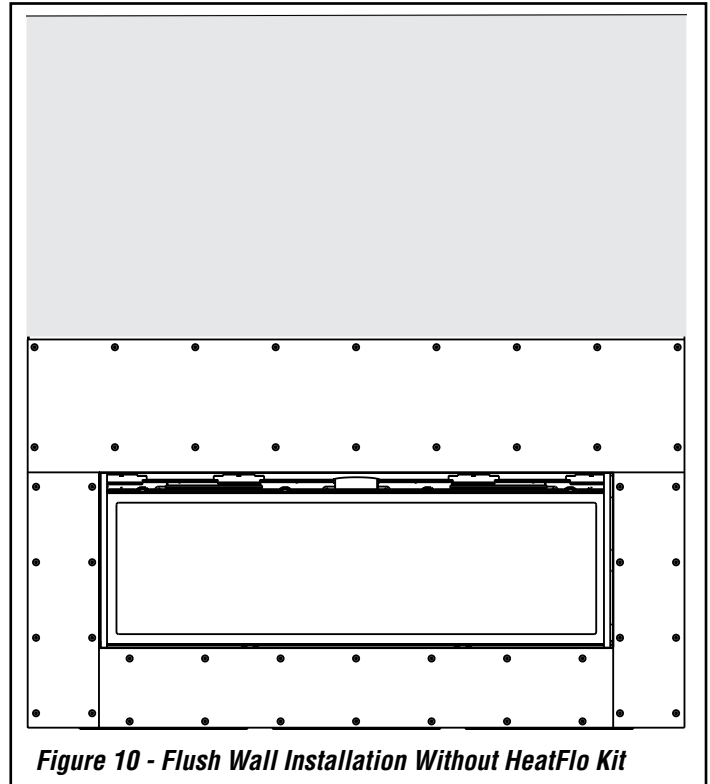
NOTE: Non-combustible fireboard is provided with the fireplace. DO NOT SUBSTITUTE.

NOTE: Factory supplied tile stops protrude 3/4" from unit and will allow installation of standard tile and thin set on top of the noncombustible fireboard.

NOTE: The HeatFlo Register Trim ships from the factory painted black and it may be painted another color to match the wall color; using high temperature paint rated for minimum 250°F continuous rating (**Figure 11**). Do not finish over any of the opening in the trim outlet.

Installing Fireboard

1. Using 1" self drill bugle drywall screws (supplied), install non-combustible fireboard at bottom, sides and top of fireplace face (**See Figure 10**).
2. Apply 1/2" wall sheathing materials such as drywall, plywood, wood composites, or non-combustible materials to the rest of the wall. **NOTE:** When applying drywall, minimize number of joints to reduce potential for cracking.



Innovative Hearth Products (IHP) reserves the right to make changes at any time, without notice, in design, materials, specifications, prices and also to discontinue colors, styles and products. Consult your local distributor for fireplace code information.



Printed in U.S.A. © 2018 Innovative Hearth Products
P/N 900928-00 REV. A 04/2020

1769 East Lawrence Street • Russellville, AL 35654